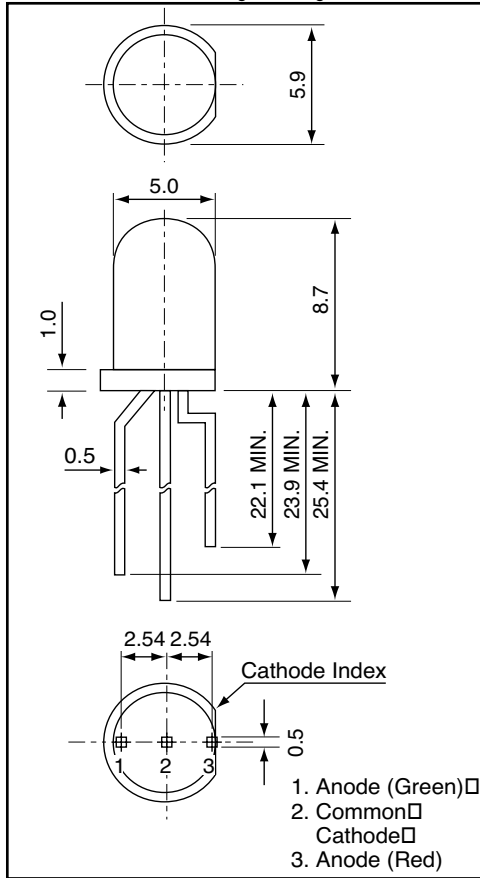




Weight: 0.35 g Unit: mm



Product specifications contained herein may be changed without prior notice. It is therefore advisable to contact Purdy Electronics before proceeding with the design of equipment incorporating this product.

AND116SG

Dual Color

T-1 3/4 (5mm)

Features

- Dual color: Red (GaAsP) / Green (GaP)
- Common cathode
- All plastic mold type, milky diffused lens
- Low drive current: 15 to 20 mA
- Fast response time, capable of pulse operation
- **RoHS Compliant**

Optical Characteristics ($T_a = 25^\circ\text{C}$)

Color		Lens Desc.	Axial Luminous Intensity (mcd)		Test Condition (I_F -mA)	Viewing Angle $2\theta_{1/2}$ (deg)
LED	Lens		Min.	Typ.		
Red	Milky	Diffused	10	12	20	70
Green	Milky	Diffused	10	12	20	70

Absolute Maximum Ratings ($T_a = 25^\circ\text{C}$)

Characteristics	Symbol	Rating		Unit
		Red	Green	
Forward Current	I_F	25	25	mA
Reverse Voltage	V_R	5	5	V
Power Dissipation	P_D	75	75	Total Package
Operating Temperature	T_{Opr}	-25 to +85		$^\circ\text{C}$
Storage Temperature Range	T_{Stg}	-25 to +100		$^\circ\text{C}$

Electro-Optical Characteristics ($T_a = 25^\circ\text{C}$)

Characteristics	Symbol	Test Condition	Red		Green		Unit
			Typ.	Max.	Typ.	Max.	
Forward Voltage	V_F	$I_F = 20\text{mA}$	2.1	3.0	2.1	3.0	V
Reverse Current	I_R	$V_R = 4\text{V}$	—	100	—	100	μA
Peak Emission Wavelength	λ_p	$I_F = 20\text{mA}$	635	—	565	—	nm
Spectral Line Half Width	λ	$I_F = 20\text{mA}$	40	—	25	—	nm

Precaution

Please be careful of the following:

1. Soldering temperature: 260 $^\circ\text{C}$ max; Soldering time: 5 sec. max; Soldering portion of lead: up to 1.6 mm from the body of the device.
2. The lead can be formed up to 5 mm from the body of the device without forming stress. Soldering should be performed after the lead forming.